

FAMILY OWNED AND OPERATED SINCE 1933



Hannay Reels®
The reel leader.

Cable Reels



The
Hannay
Way

Rescue and HazMat Operations • Agriculture
Grounds Maintenance and MRO • Electric Tools
Video Inspection • Portable Lighting • Broadcast/Entertainment
Auxiliary Leads for Power Generation • Hoist and Crane Operations

www.hannay.com

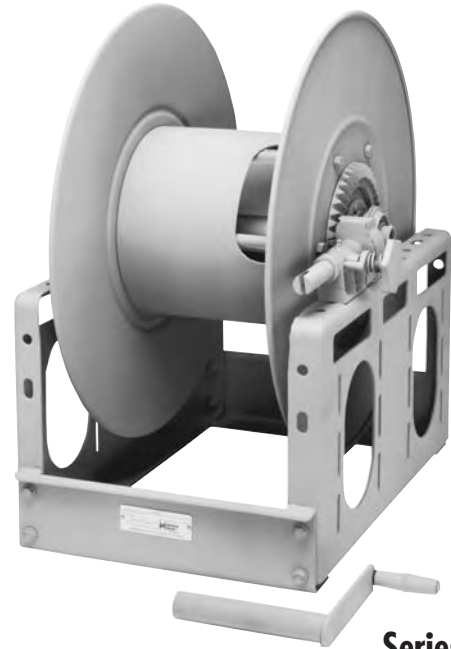
Pride in workmanship • Reels built to order • Consistent quality • Service with integrity • Value for your dollar



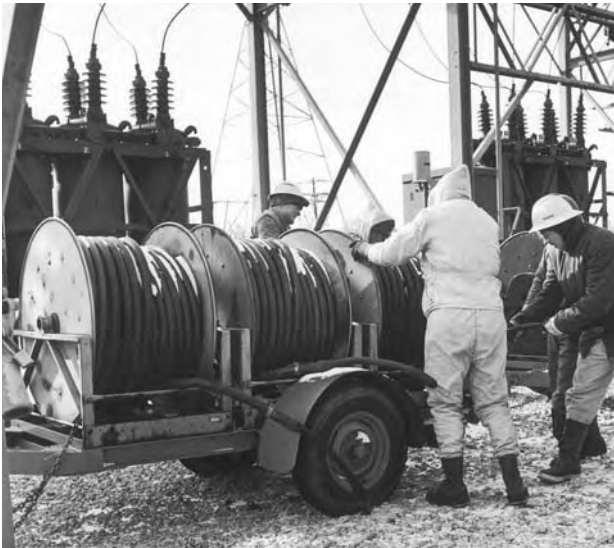
MANUAL AND POWER REWIND REELS

For storage only. No live connections.

- Heavy-duty reels.
- 4-1/2" x 7" (114.3 mm x 177.8 mm) opening in the drum.
- Many optional configurations available.
- Gear driven crank rewind; or chain and sprocket drive powered by electric, compressed air, or hydraulic motor.
- Auxiliary crank rewind is available on power reels.
- Crank rewind reels supplied with pinion brake.
- Power rewind standard with a comet brake.
- Consult factory for other brakes and locking devices.
- Rollers and roller mounting brackets are accessory items. Specify roller position.
- Divider discs available. Specify spacing.
- Drum diameters other than the standard are available.
- Note: larger drum diameter reduces reel capacity.



Series C
Standard Configuration Shown



Electrical utilities all across America rely on rugged Hannay cable storage reels to protect high-voltage cable from damage.

Hannay Spring Powered Reels have the reliability you can count on. See page 8.





Parts Drawing – ISO 71

Model Number For Power Rewind See Note 5	Cable Capacity of Reel <u>feet</u> m.			Approx. Weight Crank Rewind <u>lb.</u> kg.		Reel Dimensions*** <u>inches</u> mm.									
	O.D. (in) O.D. (mm)	3/4" 19	1" 25	NET	SHIP	A	B	D	E	F CRANK	F POWER	G	H	X	Y
C20-19-21		250 76	150 46	66 30	101 46	17 432	11.5 292	20.5 521	18.75 476	20 508	24.5 622	21.5 546	12.12 308	9 229	16.75 425
C26-19-21		350 107	200 61	78 35	113 51	23 584	17.5 445	20.5 521	18.75 476	26 660	30.5 775	21.5 546	12.12 308	15 381	16.75 425
C20-23-24		- -	250 76	73 33	108 49	17 432	11.5 292	20.5 521	22.75 578	20 508	24.5 622	23.5 597	12.12 308	9 229	16.75 425
C28-23-24		- -	475 145	89 40	124 56	25.5 648	20 508	20.5 521	22.75 578	28.5 724	33 838	23.5 597	12.12 308	17.5 445	16.75 425
C20-25-26		- -	325 99	86 39	121 55	17 432	11.5 292	25.5 648	24.75 629	20 508	24.5 622	27.88 708	15.5 394	9 229	21.75 552
C24-25-26		- -	450 137	94 943	129 59	21 533	15.5 394	25.5 648	24.75 629	24 610	28.5 724	27.88 708	15.5 394	13 330	21.75 552
C18-30-31		- -	375 114	90 41	125 57	15 381	9.5 241	25.5 648	28.75 730	18 457	22.5 572	29.88 759	15.5 394	7 178	21.75 552

Notes:

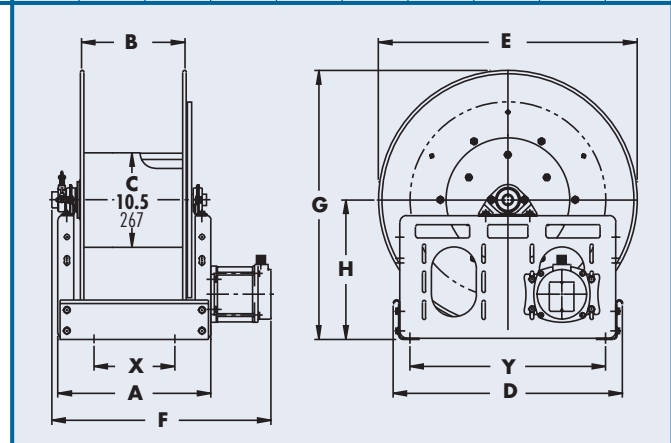
- Specifications subject to change.
- Upon request, reels can be supplied with drum lengths other than shown and with disc sizes in other diameters.
- Dimensions reflect pressed frames.
- Weights shown in chart are for crank rewind models. Add these amounts for power rewind models.

	Net (lbs.)	Ship (lbs.)	Net (kg.)	Ship (kg.)
Electric	40	40	18.1	18.1
Hydraulic	20	20	9.1	9.1
Air	20	20	9.1	9.1

- When ordering power rewind models, prefix model number with:
 A = Air Rewind E = Electric Rewind HD = Hydraulic Rewind
 (Air rewind reels are supplied with control valve and 18" air hose;
 12v and 24v DC rewind reels are supplied with switch and solenoid; 115v AC
 rewind reels are not supplied with switch but can be ordered separately;
 hydraulic rewind reels are not supplied with control valve.)

6. Be sure to check dimensions and weights prior to ordering.

***x,y indicate mounting holes



C3200/C1500

MANUAL AND POWER REWIND STORAGE REELS

For storage only. No live connections.

Series C3200

- 4-1/2" x 7" (114.3 mm x 177.8 mm) drum opening.
- Disc rewind or optional removable direct crank rewind.
- Spring actuated pin lock.

Series C1500

- 1-1/8" x 2-3/8" (28.6 mm x 60.3 mm) drum opening.
- Direct crank is permanently attached.
- Removable crank optional.
- Also available chain and sprocket rewind powered by electric, compressed air or hydraulic motor.
- Spring actuated pin lock.
- Adjustable Cam-lock drag brake.
- Consult factory for other brakes or locking devices.
- Rollers and roller mounting brackets are accessory items. Specify roller position.
- Divider discs are available, specify spacing of discs.
- Consult factory for other drum diameters.
- Note: larger drum diameter reduces reel capacity.



Series C3200
Standard Configuration shown

Shown with
Optional
Crank Handle



Series C1500
Shown with Optional Slotted Divider Disc



Series C1500
Standard Configuration shown

C3200/C1500

Parts Drawing: Series C3200 – ISO 117; Series C1500 – ISO 179

Model Number For Power Rewind See Note 5	Cable Capacity of Reel feet m.					Approx. Weight Crank Rewind ⁴ lb. kg.		Reel Dimensions*** inches mm.									
	O.D. (in) O.D. (mm)	1/4" 6	1/2" 13	3/4" 19	1" 25	NET	SHIP	A	B	C	E CRANK	E PWR	F CRANK	F PWR	G	H	X
C3216-25-26		-	-	350 107	150 46	81 37	123 56	13 330	7.5 191	10.5 267	24.75 629	-	20 508	-	27.88 708	15.5 394	7.75 197
C3218-25-26		-	-	450 137	200 61	85 39	127 58	15 381	9.5 241	10.5 267	24.75 629	-	22 559	-	27.88 708	15.5 394	7 178
C3222-25-26		-	-	700 213	300 91	93 42	135 61	19 483	13.5 343	10.5 267	24.75 629	-	26 660	-	27.88 708	15.5 394	11 279
C3230-25-26		-	-	500 152	300 91	113 51	155 70	27.5 699	22 559	10.5 267	24.75 629	-	34.5 876	-	27.88 708	15.5 394	19.5 495
C1512-17-18		900 274	200 61	-	-	22 10	53* 24	9 229	4 102	6 152	16.5 419	19 483	15.5 394	14.5 368	18.12 460	9.88 251	7.5 191
C1514-17-18		1300 369	300 91	-	-	23 10	53* 24	11 279	6 152	6 152	16.5 419	19 483	17.5 445	16.5 419	18.12 460	9.88 251	9.5 241
C1516-17-18		-	400 122	-	-	24 11	55* 25	13 330	8 203	6 152	16.5 419	19 483	19.5 495	18.5 470	18.12 460	9.88 251	11.5 292
C1520-17-18		-	650 198	-	-	25 11	65* 29	17 432	12 305	6 152	16.5 419	19 483	23.5 597	22.5 572	18.12 460	9.88 251	15.5 394
C1526-17-18		-	900 274	-	-	31 14	80* 36	23 584	18 457	6 152	16.5 419	19 483	29.5 749	28.5 724	18.12 460	9.88 251	21.5 546
C1530-17-18		-	1000 305	-	-	33 15	80* 36	27 686	22 559	6 152	16.5 419	19 483	33.5 851	32.5 826	18.12 460	9.88 251	25.5 648

Notes:

- Specifications subject to change.
- Upon request, reels can be supplied with drum lengths other than shown.
- Dimensions reflect pressed frames.
- Weights shown in chart for C1500 series are for crank rewind models. Add these amounts for power rewind models.

	Net (lbs.)	Ship (lbs.)	Net (kg.)	Ship (kg.)
Electric	18	18	8.2	8.2
Hydraulic	15	15	6.8	6.8
Air	15	15	6.8	6.8

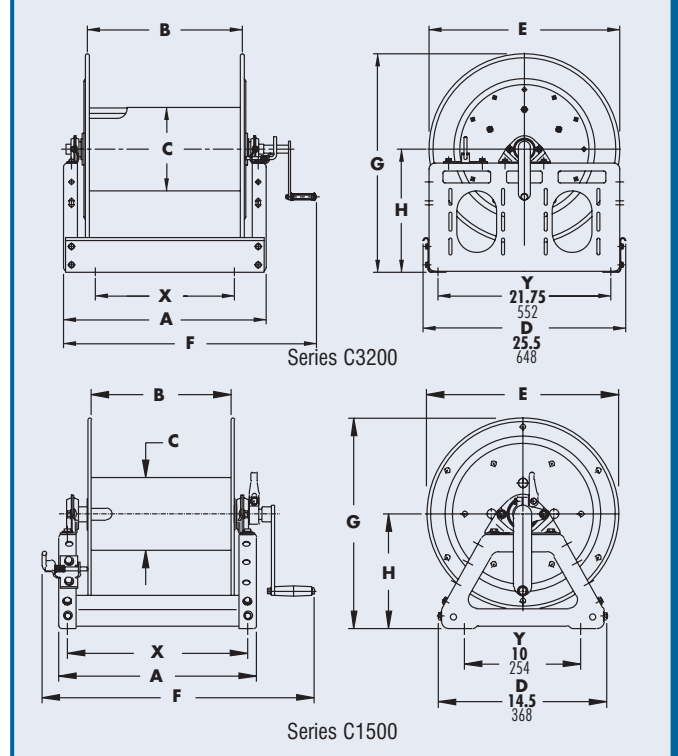
- When ordering power rewind models (C1500 only), prefix model number with:
A = Air Rewind E = Electric Rewind HD = Hydraulic Rewind
(Air rewind reels are supplied with control valve and 18" air hose; 12v and 24v DC rewind reels are supplied with switch and solenoid; 115v AC rewind reels are not supplied with switch but can be ordered separately; hydraulic rewind reels are not supplied with control valve.)
- Series C3200 requires 3-1/2" clearance to remove crank handle.
- Subtract 5" from 'F' dimension for disc rewind on C3200 Series.
- Manual rewind available in RT or LB configurations only.

9. Be sure to check dimensions and weights prior to ordering.

* Dimensional weight applies when shipped as a parcel package

(via FedEx or UPS ground).

***x,y indicate mounting holes





MANUAL AND POWER REWIND REELS

To handle live electric cable.

Series CR1600

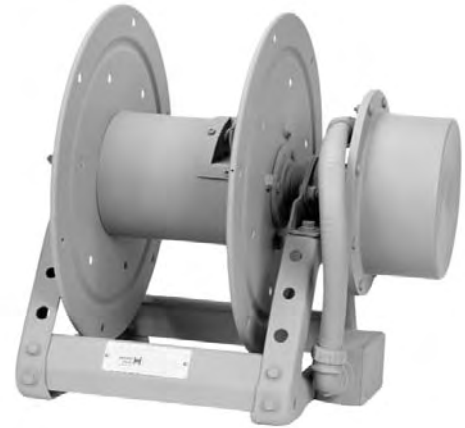
- Removable direct crank rewind.
- Adjustable Cam-lock drag brake.

Series ECR1600

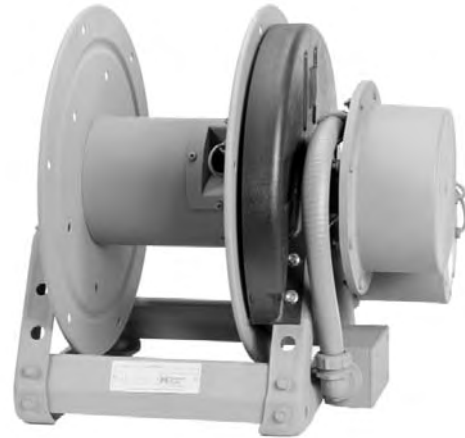
- Optional comet brake is available.
- Some roller options may prohibit the use of our molded chain guard.

Series CR6600

- Gear-driven crank rewind.
- Chain and sprocket drive powered by electric, compressed air, or hydraulic motor.
- Auxiliary rewind and pinion brake standard.
- Consult factory for other brakes.
- 3-conductor 45 amp 600 volt collector assembly with #8 gauge wiring.
- Double brushes per circuit. Brushes are copper graphite, copper alloy rings.
- Additional conductors or higher amperage (up to 100 amps) are available at extra cost, must be specified. (300 amps possible with custom design).
- Silver collector assemblies are available.
- Rollers and roller mounting brackets are accessory items. Specify roller position.



Series CR1600 (Manual Rewind)
Left Top Shown (Standard Configuration is Right Top)



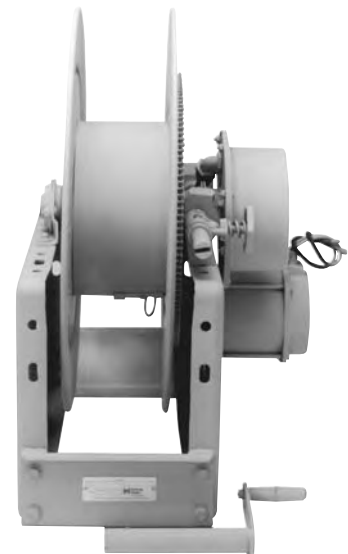
Series ECR1600 (Power Rewind)
Standard Configuration shown



Optional External Mounting Brackets

Part No. 9906.0025

Available for CR1600 & ECR1600 Models



Series CR6600 (Power Rewind)
Standard Configuration shown



Parts Drawing: Series CR1600 – ISO 76, Series CR6600 – ISO 45

Model Number	Cable Capacity of Reel feet m.						Approx. Weight Crank Rewind lb. kg.		Reel Dimensions*** inches mm.											
	GA./NO. OF CONDUCTORS						NET	SHIP	A	B	C	D	E CRANK	E PWR.	F CRANK	F PWR.	G	H	X	Y
	O.D. (in) O.D. (mm)	14/3 14	12/3 15	10/3 18	8/3 19	12/4 17														
CR1614-17-18	225 69	175 53	100 30	- -	100 30	100 30	30 14	53* 24	11 279	6 152	6 152	14.5 368	16.5 419	19 483	21.75 552	17.5 445	18.12 460	9.88 251	9.5 241	10 254
CR1616-17-18	300 91	200 61	150 46	- -	150 46	150 46	32 15	55* 25	13 330	8 203	6 152	14.5 368	16.5 419	19 483	23.75 603	19.5 495	18.12 460	9.88 251	11.5 292	10 254
CR1618-17-18	350 107	275 84	200 61	- -	200 61	200 61	33 15	65* 29	15 381	10 254	6 152	14.5 368	16.5 419	19 483	25.75 654	21.5 546	18.12 460	9.88 251	13.5 343	10 254
CR1620-17-18	450 137	350 107	250 76	- -	250 76	225 69	34 15	65* 29	17 432	12 305	6 152	14.5 368	16.5 419	19 483	27.75 705	23.5 597	18.12 460	9.88 251	15.5 394	10 254
CR6614-19-20	200 61	150 46	100 30	- -	- -	- -	113 51	148 67	11 279	5.5 140	10.5 267	20.5 521	22 559	22 559	16 406	17.75 451	21.5 546	12.12 308	5.75 146	16.75 425
CR6614-23-24	- -	300 91	225 69	175 53	- -	- -	120 54	155 70	11 279	5.5 140	10.5 267	20.5 521	23 584	23 584	16 406	17.75 451	23.5 597	12.12 308	5.75 146	16.75 425
CR6614-25-26	- -	350 107	250 76	200 61	- -	- -	133 60	168 76	11 279	5.5 140	10.5 267	25.5 648	24.75 629	24.75 629	16 406	17.75 451	27.88 708	15.5 394	5.75 146	21.75 552

Notes:

- Specifications subject to change.
- Upon request, reels can be supplied with drum lengths other than shown and with disc sizes in other diameters.
- Dimensions reflect pressed frames.
- Weights shown in chart are for crank rewind models. Add these amounts for power rewind models.

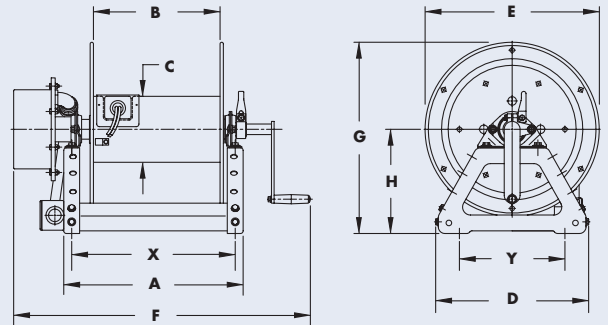
Series	Net (lbs.)	Ship (lbs.)	Net (kg.)	Ship (kg.)
Series CR1600				
Electric	18	18	8.2	8.2
Hydraulic	15	15	6.8	6.8
Air	15	15	6.8	6.8
Series CR6600				
Electric	40	40	18.1	18.1
Hydraulic	20	20	9.1	9.1
Air	20	20	9.1	9.1

- When ordering power rewind models, prefix model number with:
A = Air Rewind E = Electric Rewind (Series CR1600)
EP= Electric Rewind (Series CR6600) HD = Hydraulic Rewind
(Air rewind reels are supplied with control valve and 18" air hose;
12v and 24v DC rewind reels are supplied with switch and solenoid; 115v AC
rewind reels are not supplied with switch but can be ordered separately;
hydraulic rewind reels are not supplied with control valve.)
- Add 2-1/8" to "A" dimension when using external mounting brackets on
CR1600, ECR1600 series reels.

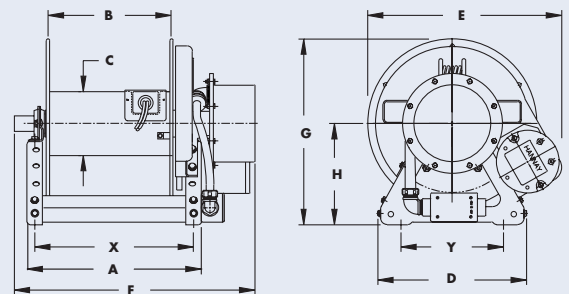
7. Be sure to check dimensions and weights prior to ordering.

* Dimensional weight applies when shipped as a parcel package
(via FedEx or UPS ground).

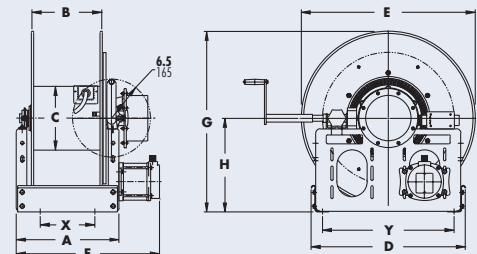
***x,y indicate mounting holes



Series CR1600 (Manual Rewind)



Series ECR1600 (Power Rewind)



Series CR6600 (Power Rewind)

SCR700/NSCR700

SPRING REWIND REELS

To handle live electric cable.

- Heavy-duty spring motor.
- Non sparking ratchet.
- Declutching arbor.
- Consult factory for constant tension applications.
- 3-conductor 45 amp 600 volt collector assembly with #8 gauge wiring.
- Double brushes per circuit. Brushes are copper graphite with copper alloy rings.
- Additional conductors or higher amperage (up to 300 amps) available, consult factory.
- Silver collector available.
- Supplied with a 4-way roller assembly. Roller position must be specified.
- A cable stop should be used.
- For vertical lift, stretch and/or crane installation, consult factory for proper spring specifications.



Series SCR700
Standard Configuration shown



Series NSCR700
Standard Configuration shown

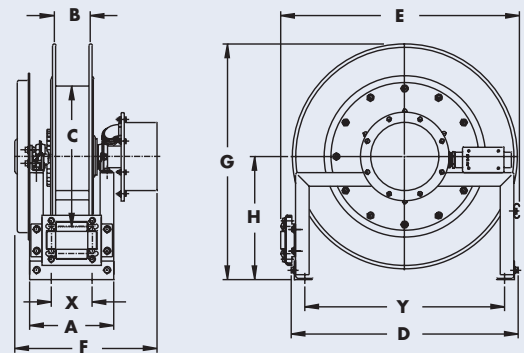
SCR700/NSCR700

Parts Drawing: Series SCR700 – ISO 49, Series NSCR700 – ISO 164

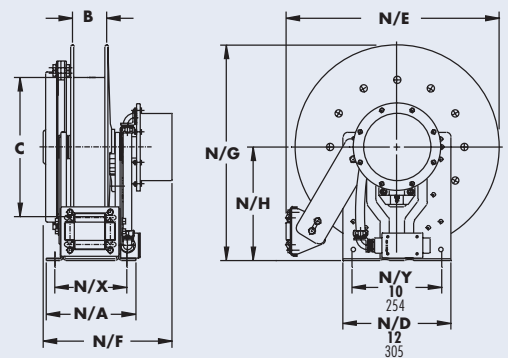
Model Number	Cable Capacity of Reel feet m.					Approx. Weight lb. kg.		Roller Assembly	Reel Dimensions*** inches mm.															
	GA./NO. OF CONDUCTORS					NET	SHIP		A	N/A	B	C	D	E	N/E	F	N/F	G	N/G	H	N/H	X	N/X	Y
	O.D.	.530" 14mm	.600" 15mm	.690" 18mm	.750" 19mm																			
NSCR715-14-16C	35 11	25 8	-	-	-	59 27	74 34	N203	-	9 229	3 76	8 203	-	-	17.62 448	-	13.75 349	-	16.12 409	-	9.12 232	-	7 178	-
NSCR715-16-17C	40 12	35 11	-	-	-	62 28	77 35	N203	-	9 229	3 76	10.5 267	-	-	18.5 470	-	13.75 349	-	17 432	-	9.12 232	-	7 178	-
NSCR715-19-20J	50 15	50 15	50 15	50 15	-	74 34	109 49	N204	8.25 210	9 229	3 76	10.5 267	18 457	19.5 495	20.75 527	15.25 387	13.75 349	19.75 502	20 508	10.38 264	10.62 270	3.5 89	7 178	15 381
NSCR716-23-24B	75 23	75 23	75 23	75 23	-	99 45	134 61	N204	9.25 235	10 254	4 102	15.5 394	23.25 591	24.38 619	23.75 603	16.25 413	14.75 375	23.88 607	24 610	12.5 318	12.62 321	4.5 114	8 203	20.25 514
NSCR716-23-24G	100 30	100 30	-	-	-	105 48	140 64	N204	9.25 235	10 254	4 102	15.5 394	23.25 591	24.38 619	23.75 603	16.25 413	14.75 375	23.88 607	24 610	12.5 318	12.62 321	4.5 114	8 203	20.25 514
SCR716-30-31-20A	120 37	120 37	120 37	120 37	-	127 58	162 73	R204	9.25 235	-	4 102	20 508	28.5 724	29.62 752	-	17 432	-	31.38 797	-	17 432	-	4.5 114	-	25.5 648

Notes:

1. Specifications subject to change.
 2. For reels with 4-conductor 45 amp collector assemblies, add 2" to "F" dimension.
 3. Reel models and capacities shown are for standard drag applications; for vertical lift applications consult factory.
 4. Other sizes from standard components, available upon request.
 5. Be sure to check dimensions and weights prior to ordering.
 6. Roller assembly is supplied on standard models.
- ***x,y indicate mounting holes

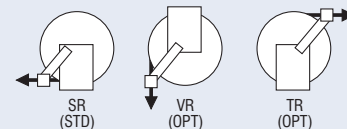


Series SCR700



Series NSCR700

Roller Positions Available



SCR10-17-19

SPRING REWIND REELS

To handle live electric cable.

- Heavy-duty spring motor.
- Non sparking ratchet assembly.
- Declutching arbor.
- 3-conductor 30 amp.
- 6 foot power source.
- 15 amp, 3 prong straight blade plug provided standard. (Twistlock plug is optional.).
- Cable stop should be used.



Standard Configuration shown



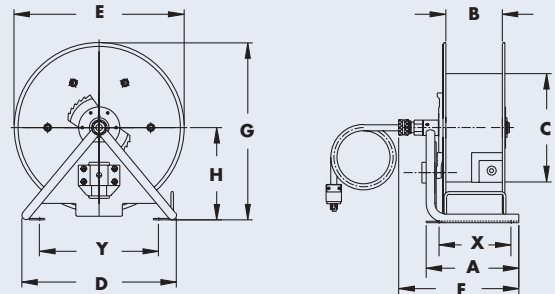
P/N 9939.0004
Optional Roller Mounting Bracket for the SCR 10-17-19 reel

Parts Drawing – ISO 46

Model Number	Cable Capacity of Reel				Approx. Weight		Reel Dimensions***									
	feet				lb.		inches									
	m.				kg.		mm.									
	GA./NO. OF CONDUCTORS			NET	SHIP	A	B	C	D	E	F	G	H	X	Y	
	16/3	14/3	12/3													
	O.D. (in)	.390	.530	.600												
	O.D. (mm)	10	14	15												
SCR10-17-19	70	70	75	42	52*	9.25	6	10.5	15.5	16.5	11.75	17.12	8.88	7	11.5	
	21	21	23	19	24	235	152	267	394	419	298	435	226	178	292	

Notes:

1. Specifications subject to change.
 2. Be sure to check dimensions and weights prior to ordering.
- *Dimensional weight applies when shipped as a parcel package (via FedEx or UPS ground).
 ***x,y indicate mounting holes



Model SCR10-17-19

LC/CR

PORTABLE ELECTRIC CABLE REELS



LC16-10-11

For:

- Extension Cord
- Broadcast Cable

Model LC16-10-11

- Waterproof duplex.
- Receptacle for 3-pronged plug.
- Twist lock duplex is available.
- Adjustable Cam-lock drag brake.



CR Series

For:

- Industrial
- Broadcast
- Agricultural
- Fire and Rescue

Series CR

- Compact, lightweight, rugged construction.
- 3-conductor 30 amp collector ring.
- 6-foot power source lead of 12/3 cable.
- 15 amp 3-prong straight blade plug (twist lock optional).
- Adjustable Cam-lock drag brake.

Rewind:

- Crank rewind permanent.

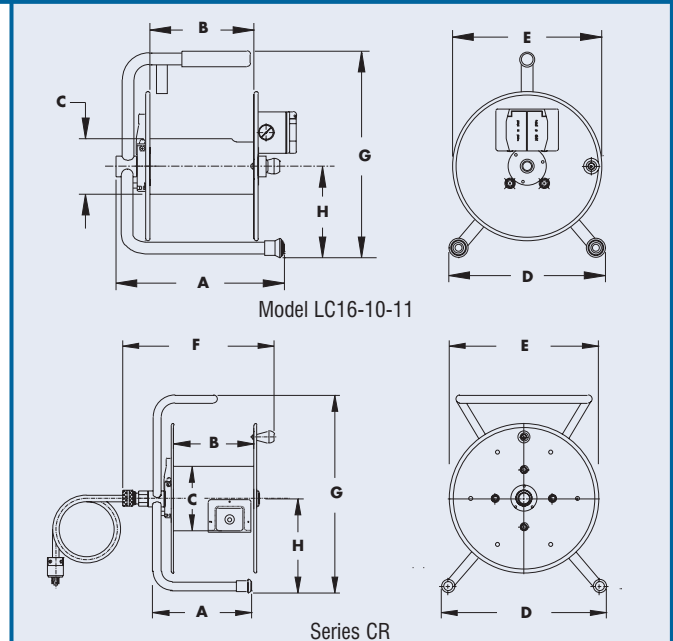
Parts Drawing: Model LC16-10-11 – ISO 120, Series CR – ISO 156

Model Number	Cable Capacity of Reel				Approx. Weight		Reel Dimensions							
	feet m.				lb. kg.		inches mm.							
	GA./NO. OF CONDUCTORS				NET	SHIP	A	B	C	D	E	F	G	H
		16/3	14/3	12/3										
	O.D. (in) O.D. (mm)	.39 10	.53 13	.60 15										
LC16-10-11		275 84	125 38	100 30	11 5	39* 18	11.75 298	7.5 190	4 102	11.88 302	10.75 273	12.25 311	15 381	6.88 175
CR16-14-16		400 122	200 61	150 46	24 11	32* 15	9.25 235	7.5 190	6 152	15.5 394	14 356	14.5 368	18.5 470	8.88 226
CR16-17-18		650 198	300 91	250 76	26 12	32* 15	9.25 235	7.5 190	6 152	15.5 394	16.5 419	14.5 368	18.5 470	8.88 226

Notes:

1. Specifications subject to change.
2. Be sure to check dimensions and weights prior to ordering.

*Dimensional weight applies when shipped as a parcel package (via FedEx or UPS ground).



Optional 15-amp 3prong straight blade receptacle recessed in drum.
Part No: 9955.0090



PORTABLE STORAGE REELS

No live connections.

Model C16-10-11

- Small, lightweight, durable.
- Adjustable Cam-lock drag brake.
- Optional Storage Drum Extension.

Model C20-14-16

- Strong, portable.
- Adjustable Cam-lock drag brake.
- Permanent crank rewind.
- Optional pin lock available.
- Optional Storage Drum Extension.



C16-10-11-DE
(DE = Drum Extension)



C16-10-11

- For:
- Broadcast Cable
 - Extension Cord
 - Rope



C20-14-16

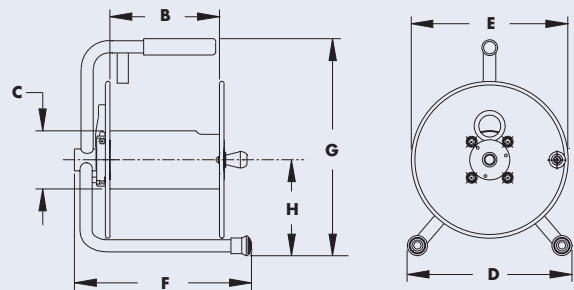
- For:
- Broadcast Cable
 - Extension Cord
 - Forestry Fire Hose
 - Rope

Parts Drawing: Model C16-10-11 – ISO 88, Model C20-14-16 – ISO 121

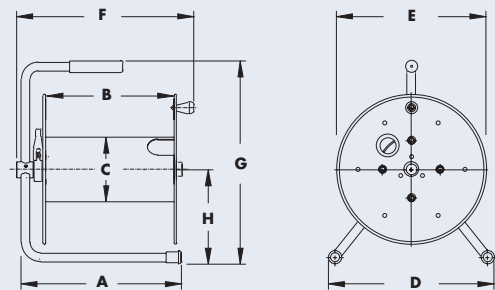
Model Number	Cable Capacity of Reel				Approx. Weight		Reel Dimensions*																			
	feet				lb.		inches																			
	m.				kg.		mm.																			
GA./NO. OF CONDUCTORS													NET	SHIP	A	B	C	D	E	F	G	H				
O.D. (in)	.39	.53	.60																							
O.D. (mm)	10	14	15	16/3	14/3	12/3																				
C16-10-11	275	125	100	10	14*	–	7.5	4	11.88	10.75	12.25	14.75	6.88	84	38	30	5	6	–	191	102	302	273	311	375	175
	–	350	250	18	32*	15	12	6	15.5	14	16.75	19	8.62	–	107	76	38	15	381	305	152	394	356	425	483	219
C20-14-16	–	350	250	18	32*	15	12	6	15.5	14	16.75	19	8.62	–	107	76	38	15	381	305	152	394	356	425	483	219
C16-10-11-DE	280	130	105	10	32*	11.5	7.5	4	11.88	10.75	14.25	14.75	6.88	85	40	32	5	15	292	191	102	302	273	362	375	175
	–	355	255	118	53*	15	12	6	15.5	14	18.75	19	8.62	–	108	78	8	24	381	305	152	394	356	476	483	219
C20-14-16-DE	–	355	255	118	53*	15	12	6	15.5	14	18.75	19	8.62	–	108	78	8	24	381	305	152	394	356	476	483	219

Notes:

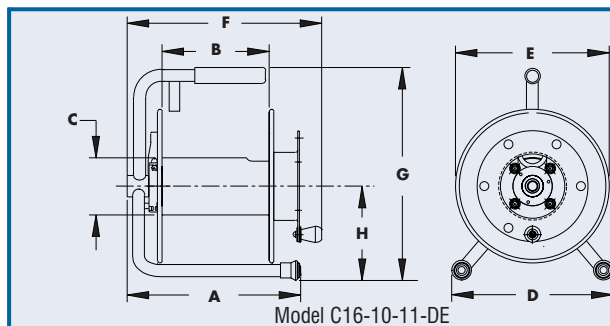
1. Specifications subject to change.
 2. These storage reels have no live connections.
 3. Be sure to check dimensions and weights prior to ordering.
- *Dimensional weight applies when shipped as a parcel package (via FedEx or UPS ground).



Model C16-10-11



Model C20-14-16



Model C16-10-11-DE

AT1300/4300

PORTABLE CABLE REEL ON WHEELS

Model AT1300.



Model AT1300

- For:
- Industrial Maintenance
 - Construction
 - Agriculture
 - Broadcast
 - Grounds Maintenance

- Direct crank rewind reel.
- Adjustable Cam-lock drag brake.
- 3 conductor 45 amp collector ring is standard.
- 6-foot power source lead of 10/3 cable.
- 15 amp 3-prong straight blade (twist lock optional).
- Additional conductors available, consult factory.
- Direct offset rewind crank.

STEEL HAND TRUCK

Model 4300. P/N 9906.0785

For portability of hose and cable reels.



Assembled 4300 truck with reel attached

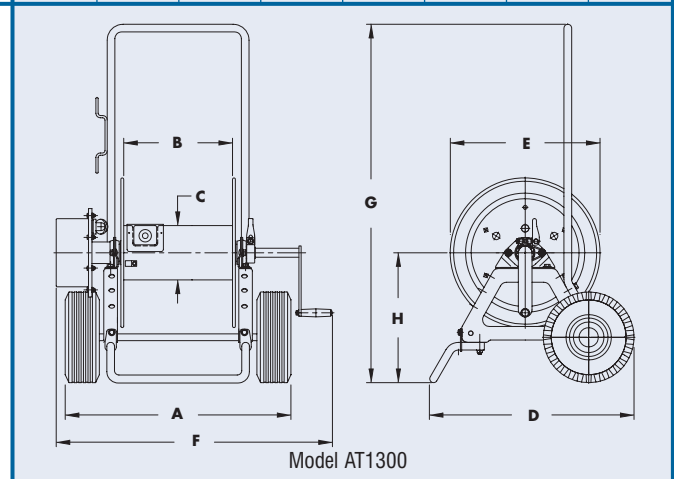
- Large pneumatic tires.
- Reel permanently attached.
- Overall dimensions will vary according to the reel model used. Hand truck is finished in the same color you specify for the reel.
- Hand truck, axle and wheels shipped separately for customer installation. Specify if reel axis is perpendicular or parallel to truck axle.

Parts Drawing – ISO 189

Model Number	Cable Capacity of Reel feet m.				Approx. Weight lb. kg.		Reel Dimensions inches mm.							
	GA./NO. OF CONDUCTORS				NET	SHIP	A	B	C	D	E	F	G	H
	O.D. (in) O.D. (mm)	.53 14	.60 15	.69 18										
AT1300	500 152	400 122	300 91		70 32	102 46	24.75 629	12 305	6 152	23.5 597	16.5 419	31.75 806	42.5 1080	14.31 363

Notes:

1. Specifications subject to change.
2. Truck is also sold separately. Maximum reel size dimensions when installed on hand truck:
A=32" (812.8mm), B=27" (685.8mm), E=32" (812.8mm)
3. Be sure to check dimensions and weights prior to ordering.



C1150/ATC1250

PORTABLE STORAGE REELS ON WHEELS

No live connections.

Model C1150

- 7/8" x 1-3/4" (22.2 mm x 44.4 mm) opening.
- Adjustable Cam-lock drag brake.

Model ATC1250

- Pneumatic tires.
- 4" x 5-1/2" (101.6 mm x 139.7 mm) opening.
- Adjustable Cam-lock drag brake.



Model C1150



Model ATC1250

- For:
- Industrial Maintenance
 - Construction
 - Agriculture
 - Grounds Maintenance

Parts Drawing: Model C1150 – ISO 48, Model ATC1250 – ISO 87

Model Number	Cable Capacity of Reel				Approx. Weight		Reel Dimensions								
	feet m.				lb. kg.		inches mm.								
	GA./NO. OF CONDUCTORS				NET	SHIP	A	B	C	D	E	F	G	H	
	16/3	14/3	12/3	10/3											
	O.D. (in) O.D. (mm)	.390 10	.530 14	.600 15	.690 18										
C1150		1100 335	500 152	400 122	300 91	44 20	85* 39	21.5 546	12 305	6 152	22 559	16.5 419	24.25 616	39 991	13.81 351
ATC1250		1800 549	950 290	750 229	550 168	82 37	124* 56	24.88 632	11.5 292	8 203	23 584	23 584	26.5 673	40 1016	17.25 438

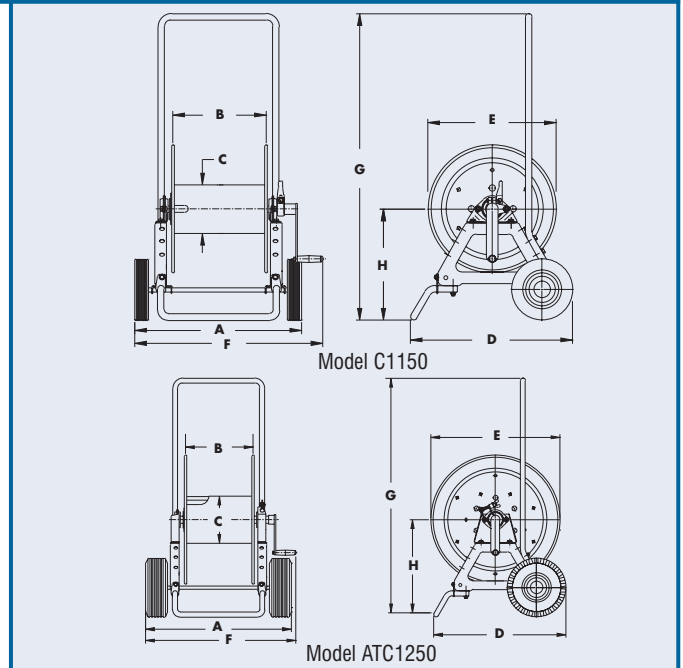
Notes:

Specifications subject to change.
1. When ordering C1150 and ATC1250, specify model number, O.D., length and weight of cable, hose, etc.

2. These storage reels have no live connections.

3. Be sure to check dimensions and weights prior to ordering.

*Dimensional weight applies when shipped as a parcel package (via FedEx or UPS ground) – some assembly required.



CUSTOM ENGINEERING

Reels and spools.

Custom spools and reels for cable handling and storage can be built in an almost limitless range of sizes and with a wide variety of special features, such as divider discs, slotted discs, casters, etc. All rewind mechanisms described in this catalog can be specified for custom-built reels. To meet special requirements, motors used to power chain and sprocket rewind mechanisms can be mounted off the reel or within the reel frame.

Spools include the discs, tie-rods and spacers, and the drum. Since discs are inventoried in a range of standard diameters, and drum lengths can be adjusted, spools can be supplied to accommodate a wide range of cable sizes and lengths.

Orders and quotations:

See order form to supply proper information for orders or quotations, found in Ordering & Accessory Guide H-0415-OA.

Requests for quotations for custom reels and spools should include:

- Complete specifications on cable size and length and weight.
- O.D. and bending radius of cable.
- Number of conductors, voltage and amperage.
- Type of rewind mechanism, including available power for electric, hydraulic or air rewind motors.
- Complete description of how reel is to be installed and used.
- Specification of any accessories.



CABLE CONVERSIONS

Power/Control Cable

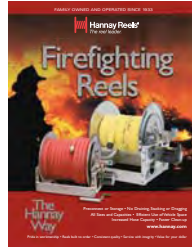
Wire Size (AWG)/ Conductors	Area (Per Conductor)	
	Circ. Mils	Sq. mm
16/3	2,600	1.3
14/3	4,100	2.1
12/3	6,500	3.3
10/3	10,500	5.3
8/3	16,800	8.5

CABLE CHART

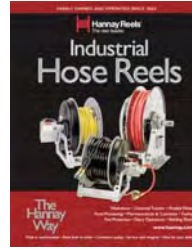
TYPE SOOW—600 Volt					
NO. OF COND.	AWG SIZE	NOMINAL O.D.		CURRENT AMPS	WEIGHT LBS/M
		INCHES	MM		
2	18	0.345	8.74	10	75
3	18	0.365	9.27	10	87
4	18	0.390	9.91	7	102
2	16	0.370	9.40	13	78
3	16	0.390	9.91	13	105
4	16	0.415	10.54	10	120
2	14	0.500	12.70	18	151
3	14	0.530	13.46	18	176
4	14	0.570	14.48	15	210
2	12	0.575	14.61	25	201
3	12	0.600	15.24	25	235
4	12	0.650	16.51	20	291
2	10	0.625	15.88	30	245
3	10	0.660	16.76	30	307
4	10	0.710	18.03	25	360
2	8	0.675	17.15	40	300
3	8	0.725	18.42	40	383
4	8	0.780	19.81	35	511
5	8	0.875	22.23	28	633



Stainless Steel Reels



Firefighting Reels



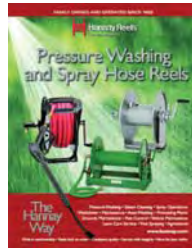
Hose Reels



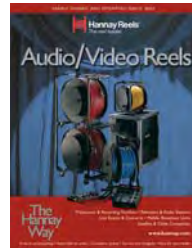
Welding Reels



Reference Guide



Pressure Wash & Spray Reels



Audio/Video Reels



Ordering & Accessory Guide



Family owned and operated since 1933, Hannay Reels is the world leader in both OEM and aftermarket applications. Hannay offers thousands of standard hose reel and cable reel models, as well as unmatched custom capabilities. We can easily and affordably customize a reel to meet your exact specifications – built to last, delivered fast. Additional catalogs are available through your local Hannay Reels dealer or online at www.hannay.com.



553 State Route 143 • Westerlo, New York 12193
Toll Free Phone: 1-877-GO-REELS • Toll Free Fax: 1-800-REELING

E-mail: reels@hannay.com

Intl. Phone: 1-518-797-3791 • Intl. Fax: 1-518-797-3259

www.hannay.com



MADE IN U.S.A.